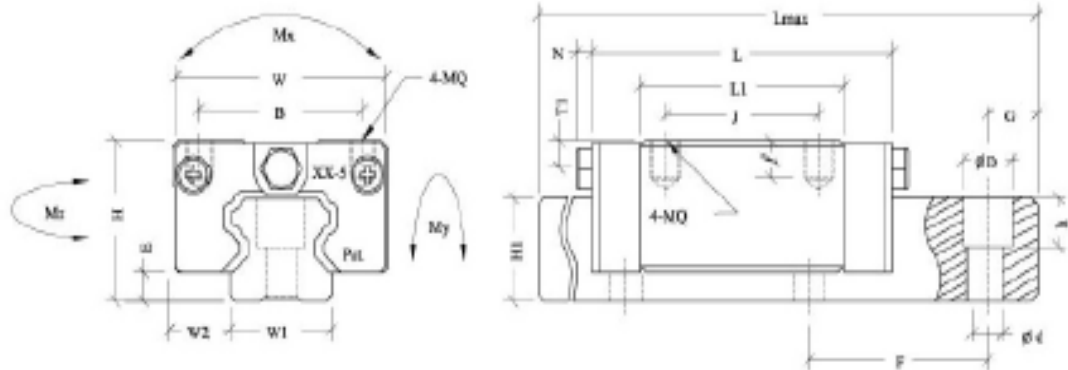


## BRH-B & BL (High Assemble type without Flange)



Unit: mm

Model No.	Assembly (mm)				BC block (mm)							BC rail (mm)			
	H	W	W2	E	L	B x J	MQ x z	L1	Oil hole	T1	N	W1	H1	F	d x D x h
BRH15B	28	34	9.5	4.6	66	26X26	M4X5.4	40	3 φ	8.3	5	15	14	60	4.5X7.5X5.3
BRH20B	30	44	12	5	77.8	32X36	M5X8	48.8	M6X1	7	6.5	20	18	60	6X9.5X8.5
BRH20BL					92.4	32X50		63.4							
BRH25B	40	48	12.5	7	88	35X35	M6X9.6	57	M6X1	11.8	6.5	23	22	60	7X11X9
BRH25BL					110.1	35X50		79.1							
BRH30B	45	60	16	9	109	40X40	M8X12.8	72	M6X1	10	6.5	28	26	80	9X14X12
BRH30BL					131.3	40X60		94.3							
BRH35B	55	70	18	9.5	119	50X50	M8X12.8	80	M6X1	15	6.5	34	29	80	9X14X12
BRH35BL					144.8	50X72		106.8							
BRH45B	70	66	20.5	14	148.2	60X60	M10X16	105	M6X1	16	13	45	36	105	14X20X17
BRH45BL					173	60X80		129.8							
BRH55B	80	100	23.5	15	170	75X75	M12X19	121	M8X1	20	13	53	44	105	16X23X20
BRH55BL					205.1	75X95		156.1							

Model No.	Ref. Data		Basic Load Rating (kgf)		Static Moment (kgf·m)			Weight	
	Lmax	G	Dynamic load rating (C)	Static load rating (C0)	Mx	My	Mz	Block (kgf)	Rail (kgf/m)
BRH15B	4000	20	850	1650	10	8	8	0.21	1.4
BRH20B	4000	20	1450	2560	22	18	18	0.31	2.6
BRH20BL			1900	3330	28.6	23.4	23.4	0.47	
BRH25B	4000	20	2140	4000	36	32	31	0.45	3.6
BRH25BL			2996	5600	50.4	44.8	43.4	0.56	
BRH30B	4000	20	2980	5490	60	50	49	0.91	5.2
BRH30BL			3900	7190	78.5	65	65	1.2	
BRH35B	4000	20	3960	7010	96	75	73	1.5	7.2
BRH35BL			5230	9270	125	95	95	1.9	
BRH45B			6740	12100	216	170	168	2.3	